

### Features

- AMD<sup>®</sup> Fusion<sup>®</sup> APU, single and dual core
- Up to 4 GB DDR3 RAM
- AMD<sup>®</sup> Radeon HD6320 (T56N), Radeon HD6250 (T40R) graphic
- LVDS: 1920 x 1200 resolution
- Gigabit Ethernet, 6x USB 2.0
- SATA port
- High Definition Audio
- Power consumption: max. 18 W
- Extended temperature range: -40°C +85°C
- Supports Smart Embedded Management Agent (SEMA) functions

### Specifications

#### Core System

Processor	AMD <sup>®</sup> T40R, 1.0 GHz, single core AMD <sup>®</sup> T56N, 1.65 GHz, dual core
Memory	Up to 4GB DDR3-1066 SO DIMM
Embedded BIOS	EFI 2x SPI Flash (fail save) Coreboot Supported
Platform controller hub	AMD <sup>®</sup> Hudson-E1 Fusion
ISA Bus	PC/104 via LPC to ISA bridge
PCI Bus	PC/104, 3.3V compliant Peripherals need their own 3.3V supply
SPI Bus	Yes
Watchdog	Yes (1 second to 255 minutes)
PS/2	Yes

#### Video

Graphics	Radeon HD6320, 500MHz (T56N) Radeon HD6250, 280MHz (T40R)
VGA	Yes
LVDS	Dual channel, 18/24-bit 1920 x 1200 pixel at 60 Hz

#### Audio

HD audio	ALC886
----------	--------

#### Ethernet

10/100/1000 Mbit

#### Multi I/O and Storage

USB	6x USB 2.0
GPIO	9x
Serial	2x RS-232/422/485
SATA	1x SATA 6 Gb/s 1x CFast slot

#### Super I/O

SCH3112

#### Power

RTC Backup	Lithium battery, CR1225 replaceable
Power Supply	5 V ±5 % All voltages are generated on-board
Power Consumption	10W to 18W, depending on processor and memory
SEMA	Condition monitoring, with power sense

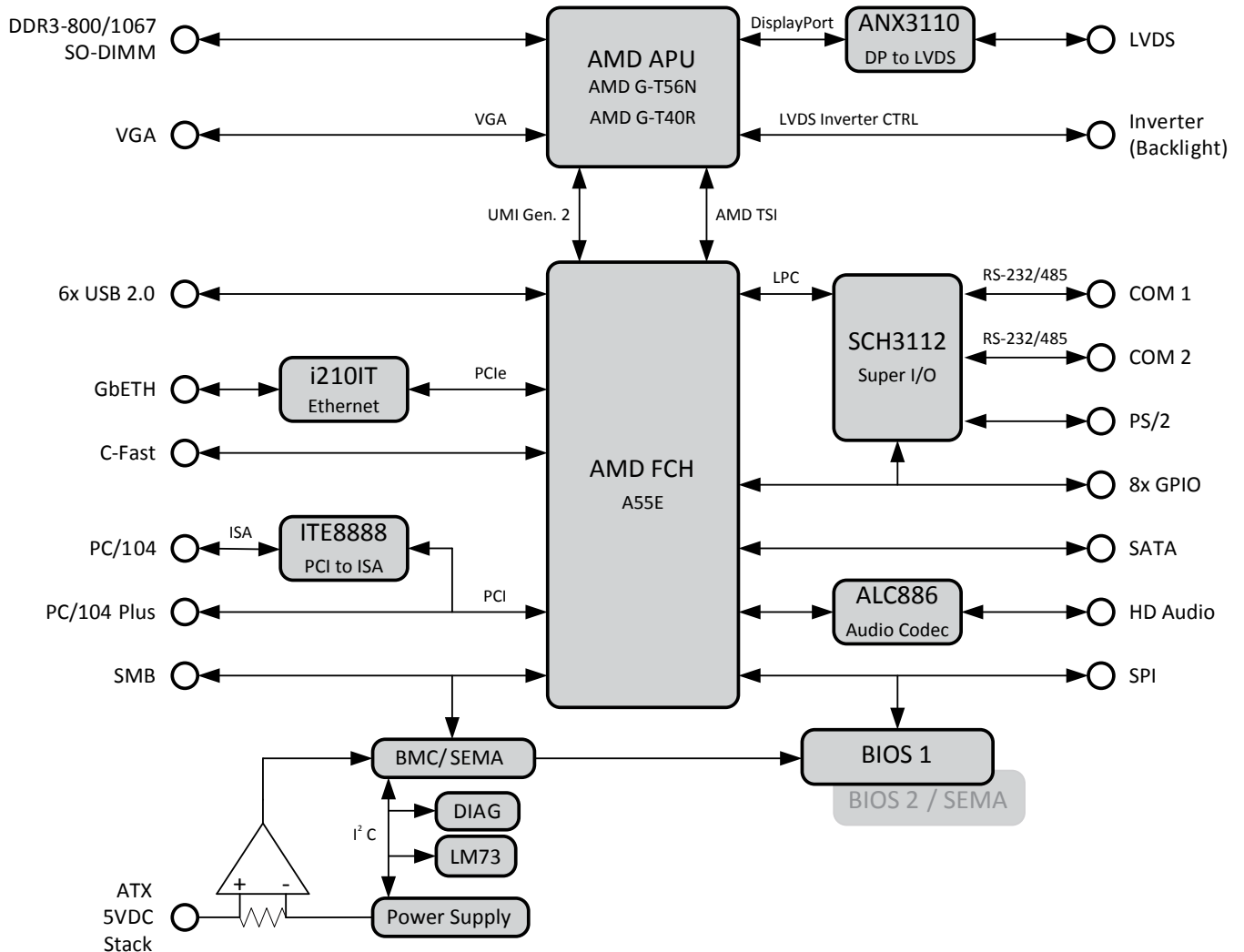
#### Mechanical and Environmental

Form Factor	PC/104-Plus
Dimension	96 mm x 90 mm
Cooling	T40R: passive T56N: active
MTBF	172,356 hours at 25°C
Operating Temperature	Standard: 0°C to +60°C Industrial: -20°C to +70°C Extended: -40°C to +85°C (only T40R)
Panel Backlight	+12 V, +5 V, including control signal
Shock/Vibration	Non-operating: 40G peak-to-peak, 11ms duration, MIL-STD-202G Method 213B Operating: 11.95 Grms, 50-2000 Hz, each axis, MIL-STD-202G Method 214A
Status LED	HDD, power mode, live, 2x Ethernet, watchdog

#### Operating Systems

Standard Support	Windows XP, Windows 7, Windows Embedded Standard 7, Linux, VxWorks
------------------	--

## Functional Diagram



## Ordering Information

### Modules

Model Number	Description/Configuration
703-0028-10	PC/104-Plus, CM2-GF, AMD T56N, 1.65 GHz DC, incl. heat spreader, 0°C to +60°C
803-0028-10	PC/104-Plus, CM2-GF, AMD T56N, 1.65 GHz DC, incl. heat spreader, -20°C to +70°C
703-0029-10	PC/104-Plus, CM2-GF, AMD T40R, 1.0 GHz SC, incl. heat spreader, 0°C to +60°C
803-0029-10	PC/104-Plus, CM2-GF, AMD T40R, 1.0 GHz SC, incl. heat spreader, -20°C to +70°C
903-0029-10	PC/104-Plus, CM2-GF, AMD T40R, 1.0 GHz SC, incl. heat spreader, -40°C to +85°C

### Accessories

Model Number	Description/Configuration
760-0029-10	RAM, DDR3, SO-DIMM, 2GB, 0°C to +60°C
960-0029-10	RAM, DDR3, SO-DIMM, 2GB, -40°C to +85°C
760-0030-10	RAM, DDR3, SO-DIMM, 4GB, 0°C to +60°C
960-0030-10	RAM, DDR3, SO-DIMM, 4GB, -40°C to +85°C
763-0022-10	Cable set, CM2-GF
765-0049-11	Heat sink, passive, CM2-GF
765-0049-12	Heat sink, active, CM2-GF

Note: All specifications are subject to change without further notice.