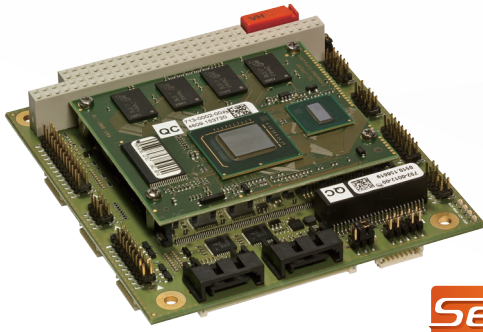


Cool LiteRunner-ECO

PC/104 Single Board Computer with
Intel® Atom™ Z5xx Processor



Features

- CoreExpress®-ECO Carrier
- Intel® Atom™ Z510 or Z530 with 2 GB RAM max.
- VGA and LVDS, with backlight
- 2x Gigabit Ethernet, 6x USB 2.0
- 2x SATA
- 2 serial ports
- Supports Smart Embedded Management Agent (SEMA) functions

Specifications

Core System

CPU	Intel® Atom™ Z530 processor Intel® Atom™ Z510 processor on CoreExpress®-ECO module
BIOS	Award BIOS
Memory	Max. 2 GB DDR2, soldered on CoreExpress®-ECO module
Watchdog Timer	Yes
Status LEDs	Indicator signals on system connector for: 2x Ethernet, 3x power, SATA, life signal
ISA Bus	PC/104
Board Format	PC/104, 96 mm x 90 mm (3.775" x 3.550")
I ² C bus	PC/104 - Supports IO accesses and IRQ signals only

Video

VGA Interface	Yes
LVDS Interface	Single channel, 24-bit with 3.3V or 5V supply for panels

Audio

Audio	HD audio, 7.1, line I/O, mic, S/PDIF
-------	--------------------------------------

I/O Interfaces

USB	6 host ports with overcurrent protection, 1 on MiniPCI-Express slot
SATA	2 SATA 3Gb/s ports
Serial Ports	2x RS-232/422/485
PS/2	Keyboard, mouse
I/O Signals	8 GPIO
MicroSD	1 slot for micro SD card
Mini PCI Express	1 slot for Mini PCI Express cards
LPT	Yes
Backlight	5 V or 12 V control and supply

Ethernet

Speed	1.6 GHz, 1.1 GHz
Ethernet	2 Gigabit ports Intel 82574L

Power

Power Consumption	~11 watts
RTC Backup	Yes
Power Supply	5 V ±5 %; all necessary voltages are generated onboard

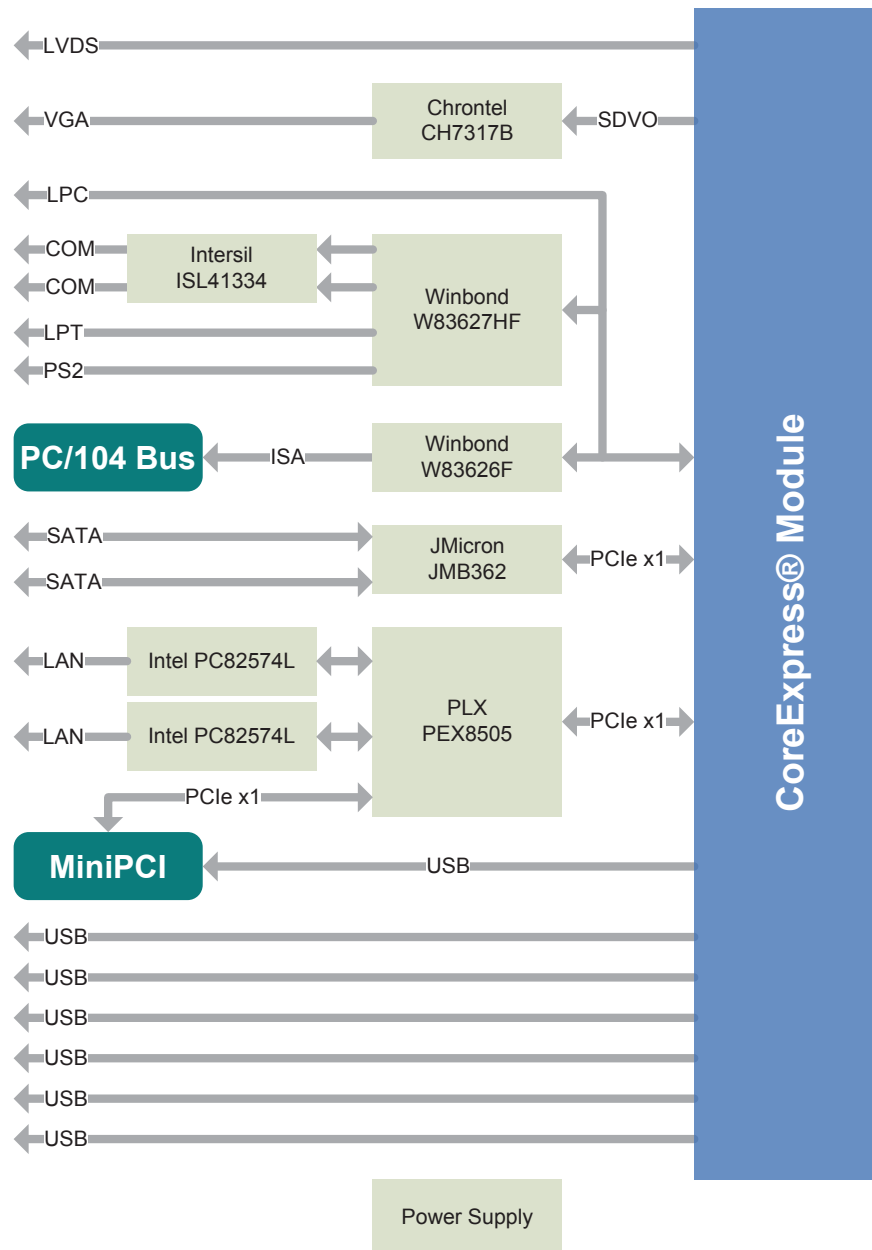
Mechanical and Environmental

Operating Temperature	Standard: 0°C to +60°C
	Industrial: -20°C to +60°C
	Extended: -40°C to +85°C
Cooling	Passive
MTBF	333,291 hours at 25°C

Operating Systems

Standard Support	Windows XP, XP Embedded
Extended Support (BSP)	Windows CE, Linux, DOS

Functional Diagram



Ordering Information

Modules

Model Number	Description/Configuration
t02-0008-10	PC/104, CLR-ECO CPU board with AMD® Geode™-LX800 @0.9W
t02-0012-11	PC/104, CLR-ECO Carrier Board with 1.1GHz, 1GB CoreExpressR®-ECO module
t02-0012-12	PC/104, CLR-ECO Carrier Board with 1.1GHz, 2GB CoreExpressR®-ECO module
t02-0012-13	PC/104, CLR-ECO Carrier Board with 1.6GHz, 512GB CoreExpressR®-ECO module
t02-0012-14	PC/104, CLR-ECO Carrier Board with 1.6GHz, 1GB CoreExpressR®-ECO module
t02-0012-15	PC/104, CLR-ECO Carrier Board with 1.6GHz, 2GB CoreExpressR®-ECO module