

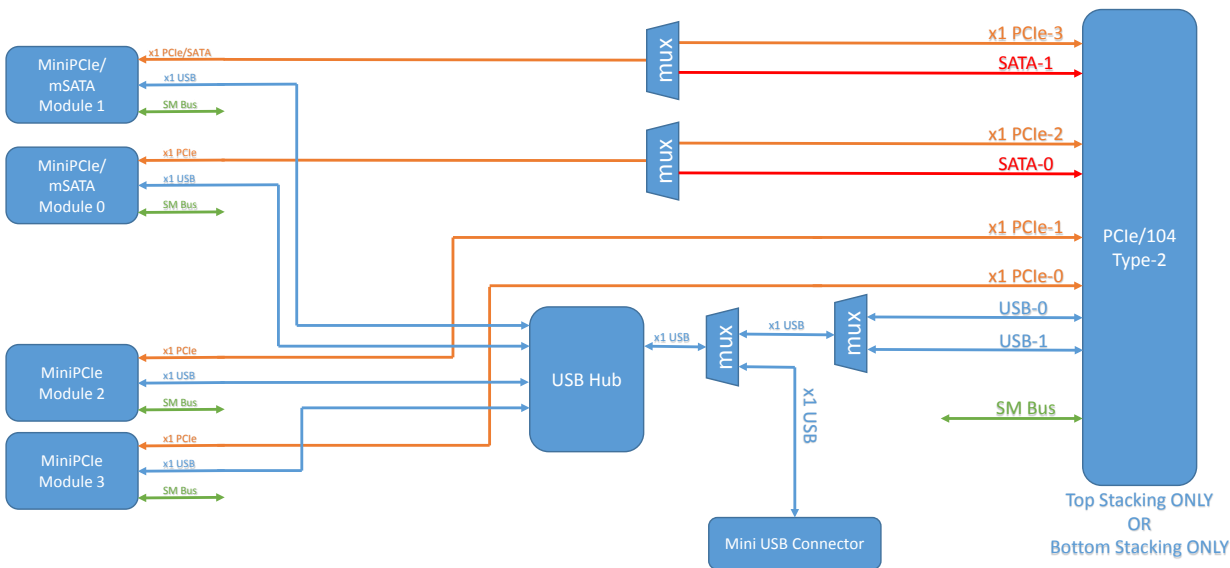
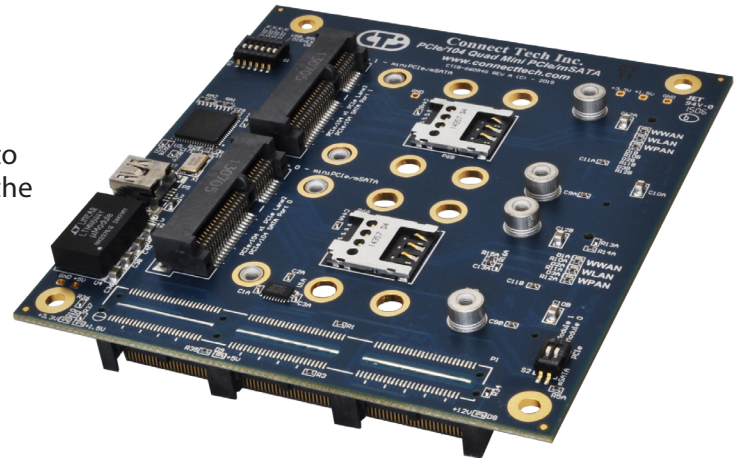


PCIe/104 Quad Mini PCIe/mSATA

Connect Tech's Quad Mini PCIe/mSATA board supports up to four mini PCIe modules simultaneously for applications in the PCIe/104 small form factor embedded market place.

This product is ideal for a wide array of applications as it supports any "Half" or "Full" Mini PCIe/mSATA product on the market. This allows for maximum flexibility while keeping the PCIe/104 stack as small as possible.

Product Name: PCIe/104 Quad Mini PCIe/mSATA
Part Number: ADG078, ADG080



FEATURES

- ✓ Supports up to four Mini PCIe modules simultaneously
- ✓ Supports any "Half" or "Full" Mini PCIe/mSATA product
- ✓ Maximum flexibility keeping the PCIe/104 stack small

Specifications	ADG078 Top stacking Model	ADG080 Bottom Stacking Model
Form Factor	PCIe/104	
Mini PCIe Compatibility	Supports four "Full" or "Half" sized Mini PCIe modules	
PCIe	Support for PCIe to all four Mini PCIe sockets	
SATA	Support for mSATA at two Mini PCIe sockets	
USB	USB support at all four Mini PCIe sockets	
SMBus	SMBus support for all four Mini PCIe sockets	
Power Source	PCIe/104 Bus	
Power	Onboard power supply for Mini PCIe sockets	
Dimensions	Fully PCIe-104 compliant: 3.775" x 3.550"	
Environmental	-40° C to +85° C	
Warranty and Support	2 Years	

RoHS

Specifications subject to change without notice.
©2015, Connect Tech Inc. All trademarks are property of their respective holder.

Connect Tech Inc.
42 Arrow Road, Guelph ON Canada
Tel: 519.836.1291 **Fax:** 519.836.4878
Toll: 800.426.8979 (North America)
Email: sales@connecttech.com
www.connecttech.com